

## General Setup Instructions

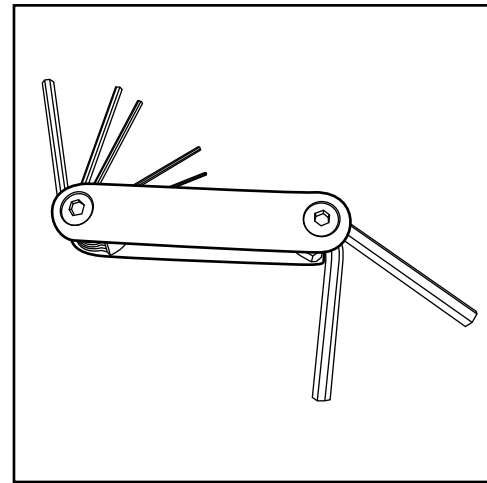
- Read entire setup instruction manual prior to unpacking parts and pieces.
- The setup instructions are created specifically for this configuration.
- Setup instructions are laid out sequentially in steps, including exploded views with detailed explanation for assembly.

## Cleaning & Packing

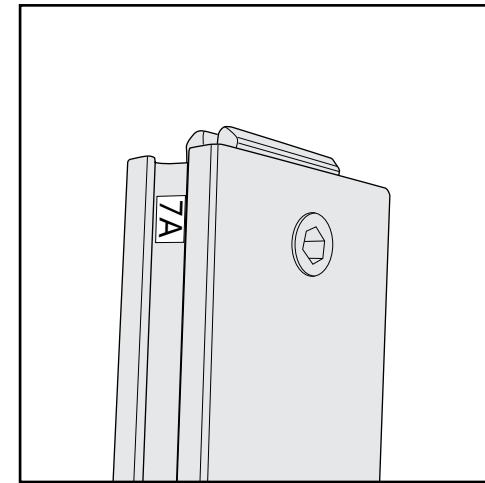
- For Cleaning Metal, Plex, & Laminate Parts: Use a **MILD NON-ABRASIVE** cleanser and soft cloth/paper towel to clean all surfaces.
- Keep exhibit components away from heat and prolonged sun exposure. **Heat and UV exposure will warp and fade components.**
- Retain all provided Packing Materials. All provided packing materials are for ease of repacking & component protection.

## Disassembly

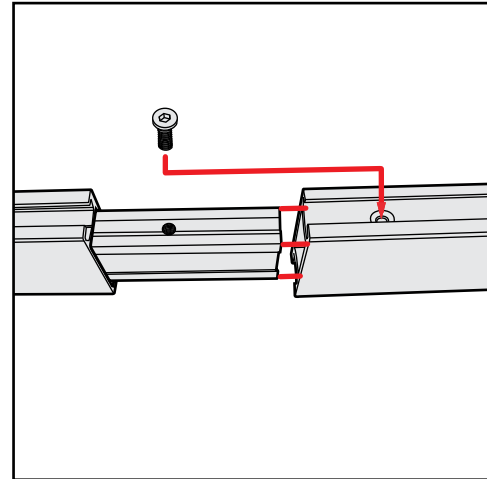
- For loss prevention, tighten all set screws and locks during disassembly.



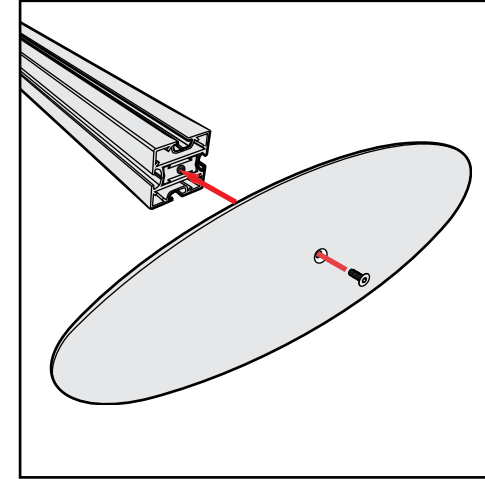
Hex Tool - Essential for Assembly



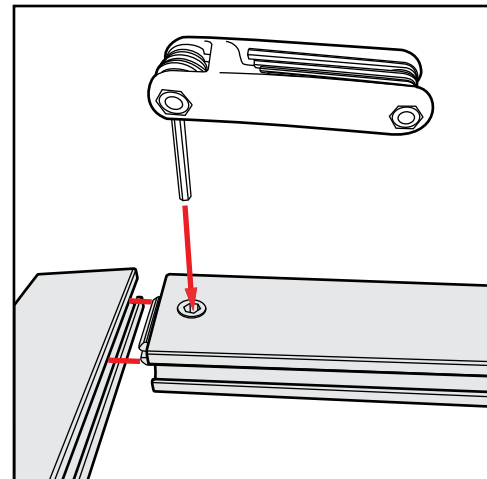
Part Identification - Numbering



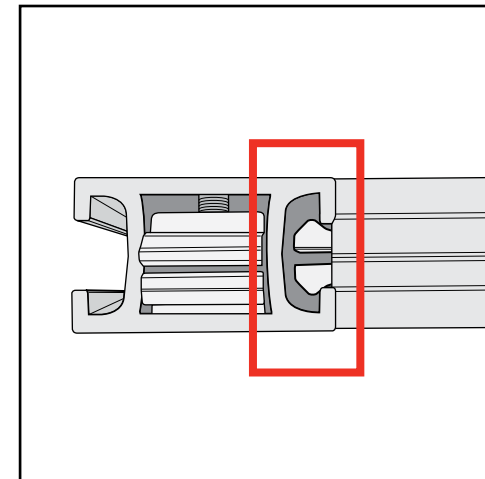
Spline Connection



Base Plate & Extrusion Connection



Extrusion & Lock Connection



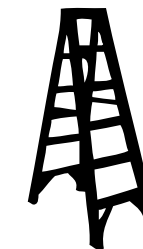
Engaged Lock



**WARNING**



DO NOT USE POWER TOOLS



LADDERS OR LIFTS  
MAY BE REQUIRED

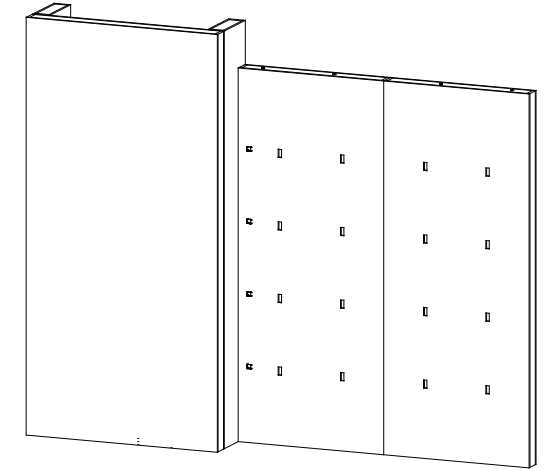


ALL CONNECTIONS MUST  
BE TIGHTLY SECURED

CRATE PACKING

Item	Qty.	Description
A	1	12"w x 95"h x 4"d Return Wall Panel
B	1	46"w x 95"h x 4"d Wall Panel w/ dimensional logo
C	1	12"w x 95"h x 4"d Return Wall Panel
D	1	35"w x 85"h x 4"d Backwall Panel
E	1	35"w x 85"h x 4"d Backwall Panel

Steps:  
1) Assemble wall panels [A] through [E] together as shown, using roto cam locks. See **Roto Cam Lock Connection** detail.



When assembled

**\* Roto Cam Lock Connection**

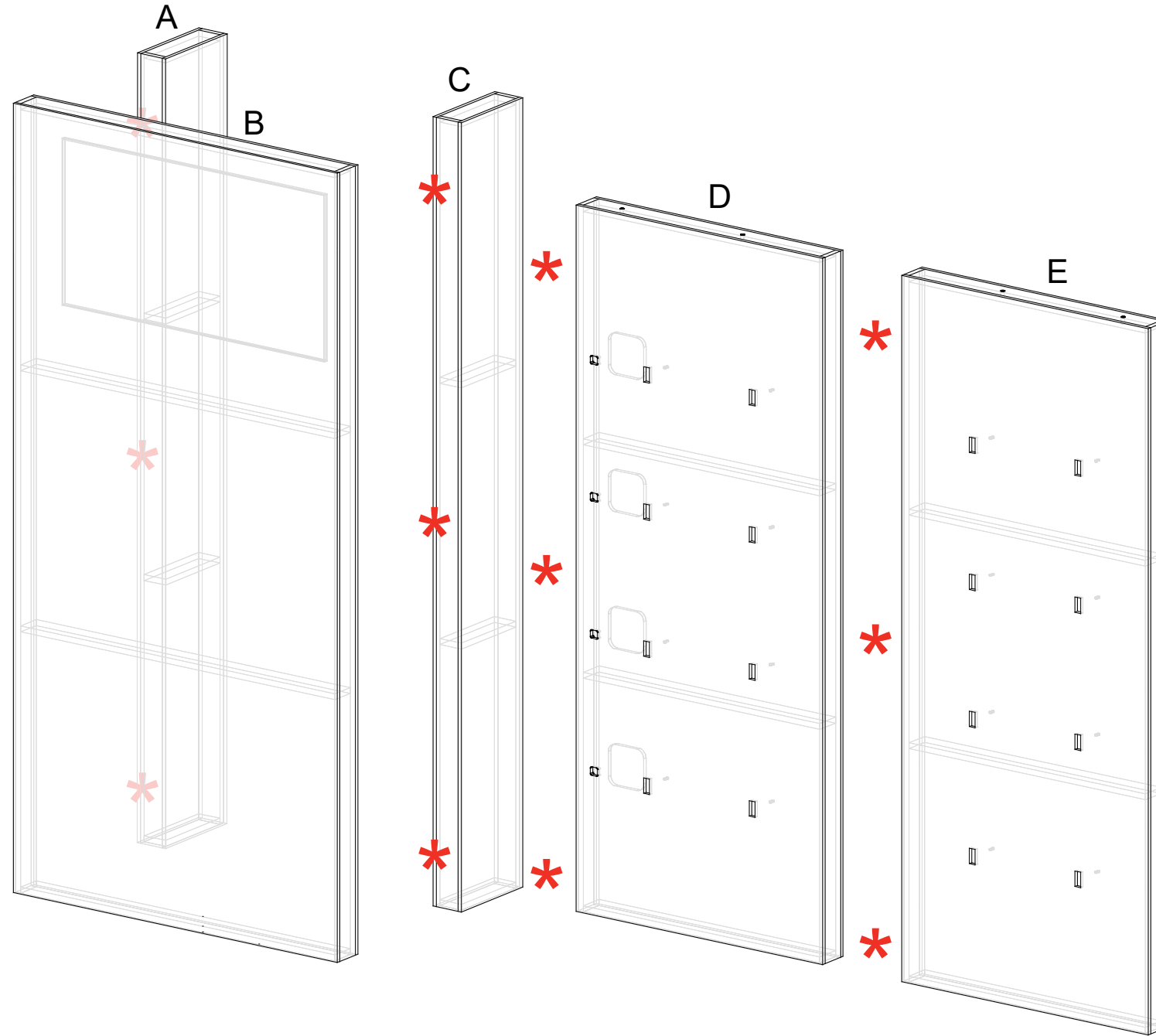
Step 1

Hex Key Tool  
Hole

Step 2

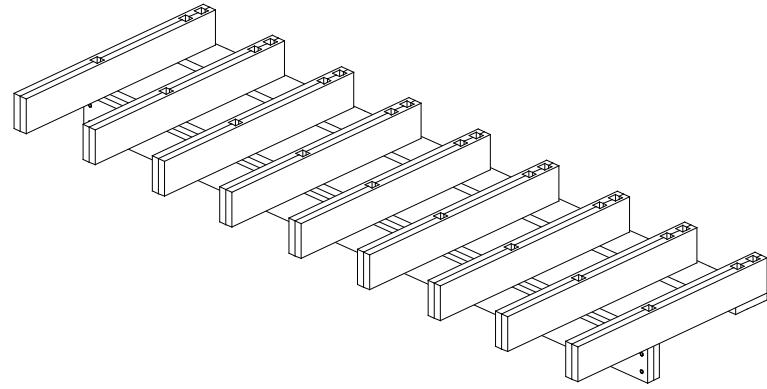
Hex Key Tool  
Lock

Place hex tool in hole on side of panel. Rotate to activate lock & secure panels together.



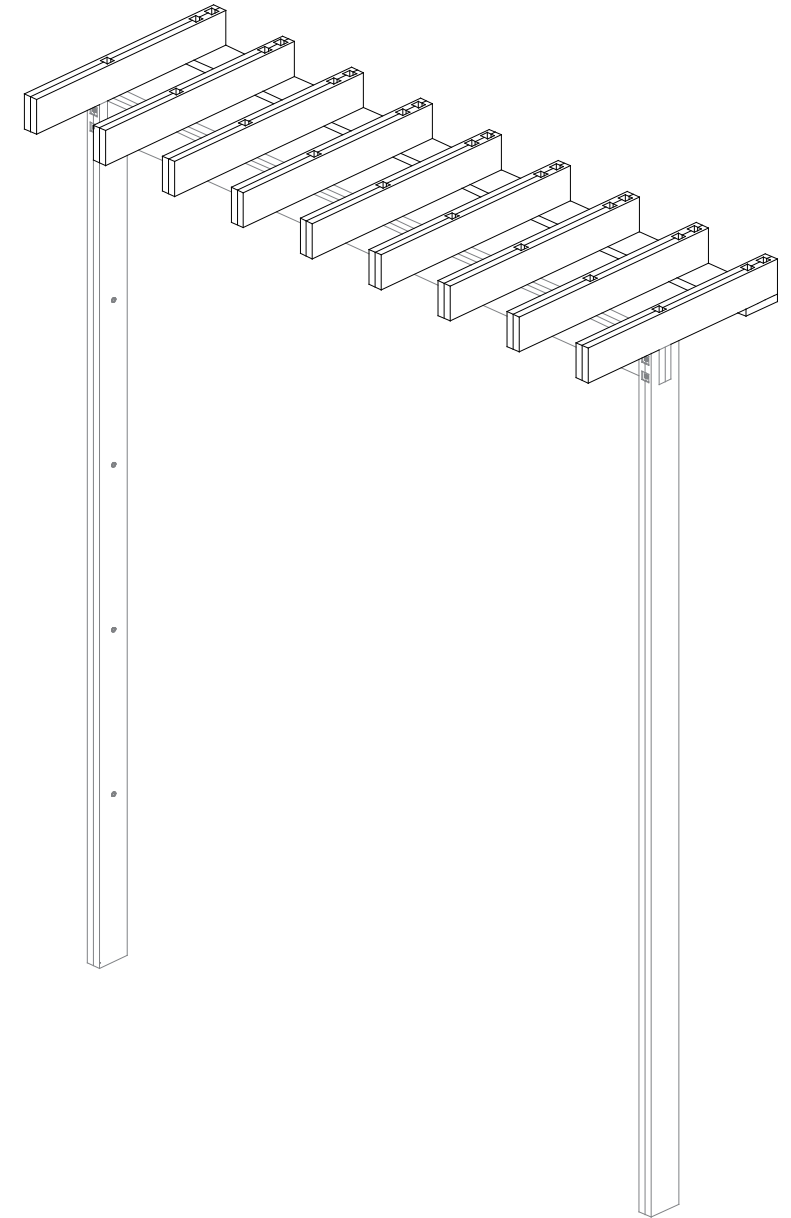
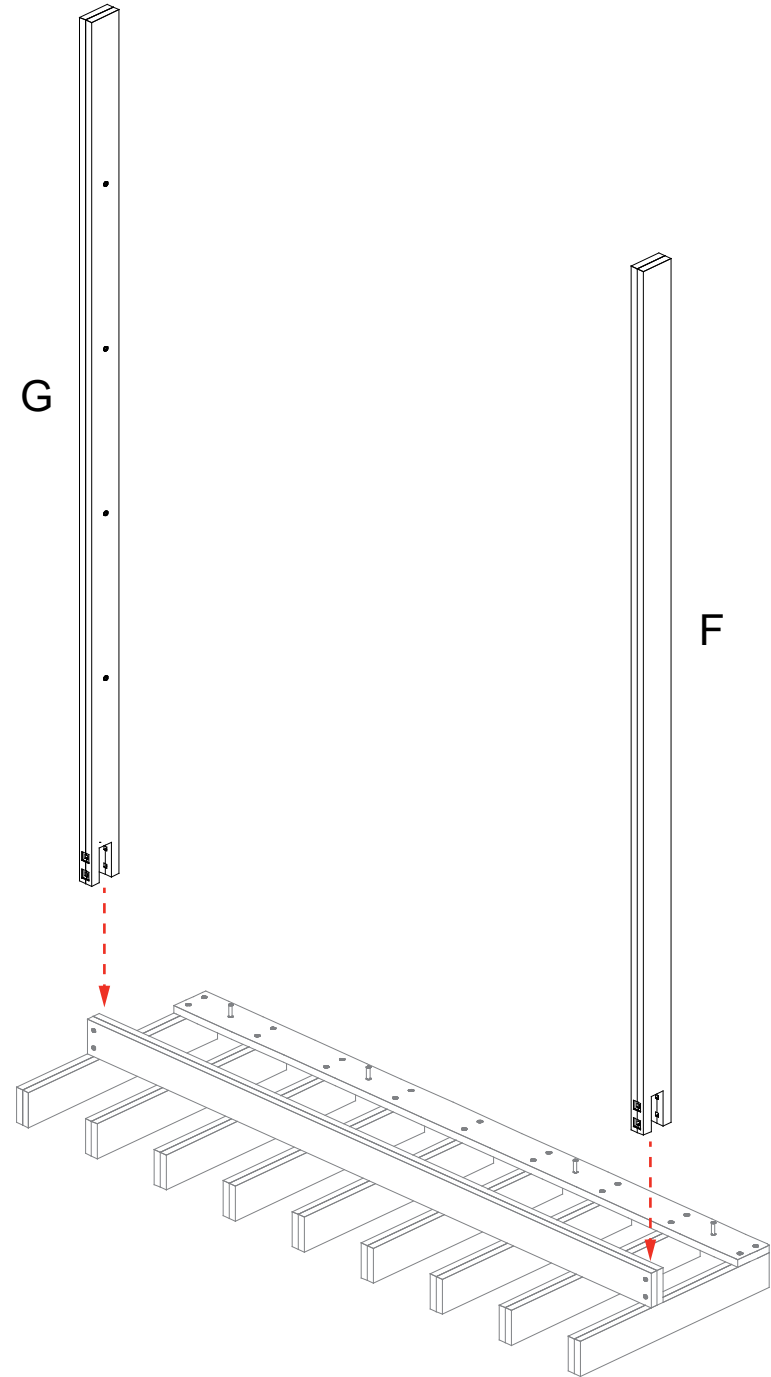
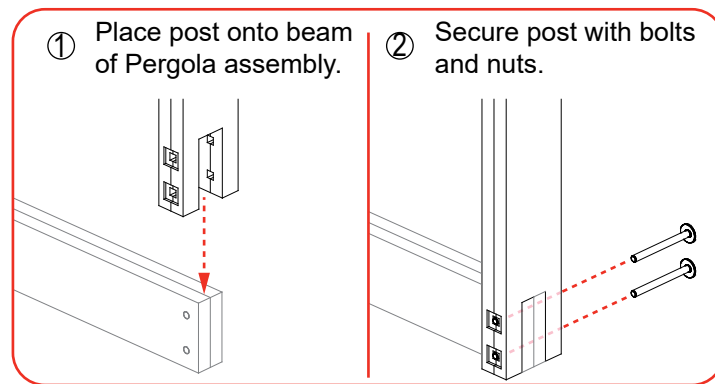
Item	Qty.	Description
--	1	Pergola Ceiling Assembly
F	1	2.5"w x 86.5"h Post
G	1	2.5"w x 86.5"h Post

Steps:  
1) Attach Posts [F] & [G] to underside of Pergola Ceiling Assembly using bolts as shown.



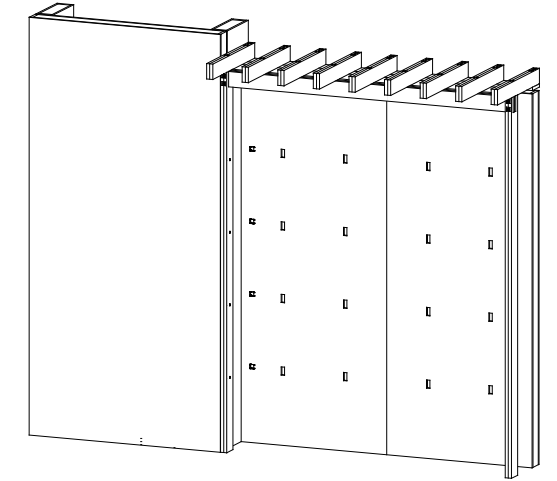
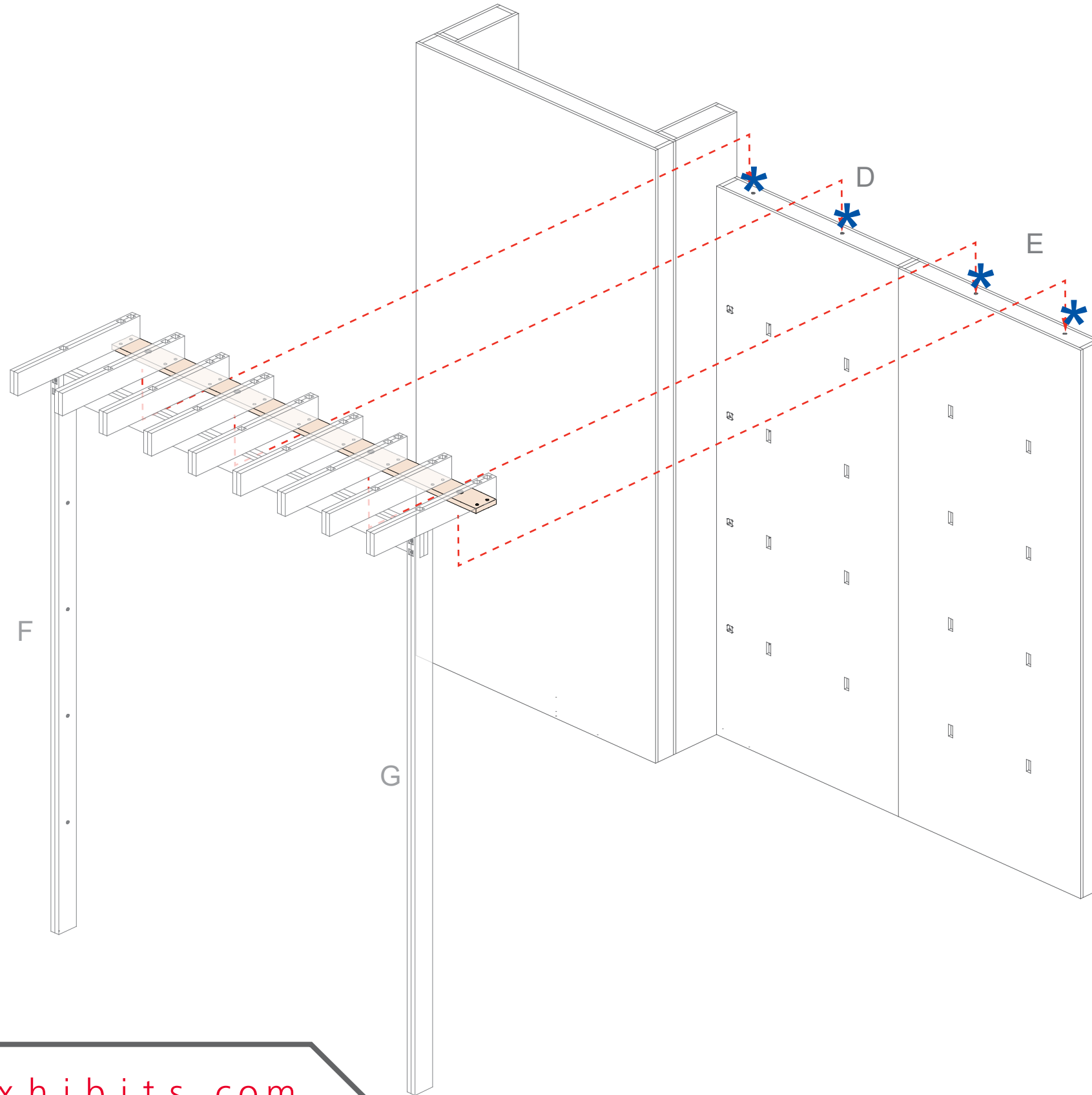
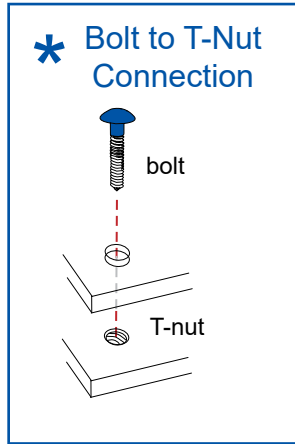
Pergola Ceiling Assembly  
**(KEEP ASSEMBLED)**

Place Pergola Ceiling on floor, upside down.  
Attach Posts, then flip assembly to upright position.



When assembled

Steps:  
1) Attach Pergola to top of backwall panels [D/E]  
using Bolt to T-Nut Connection.

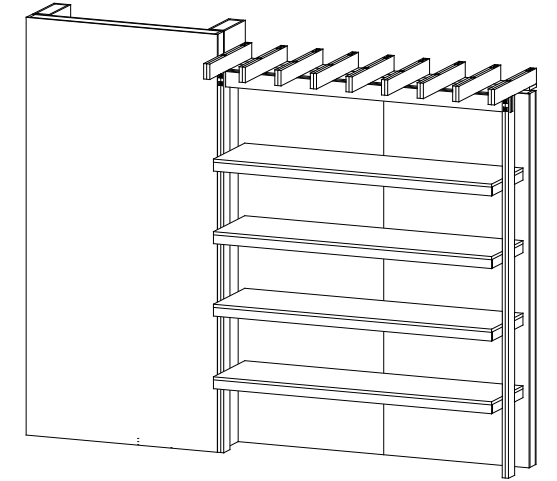


When assembled

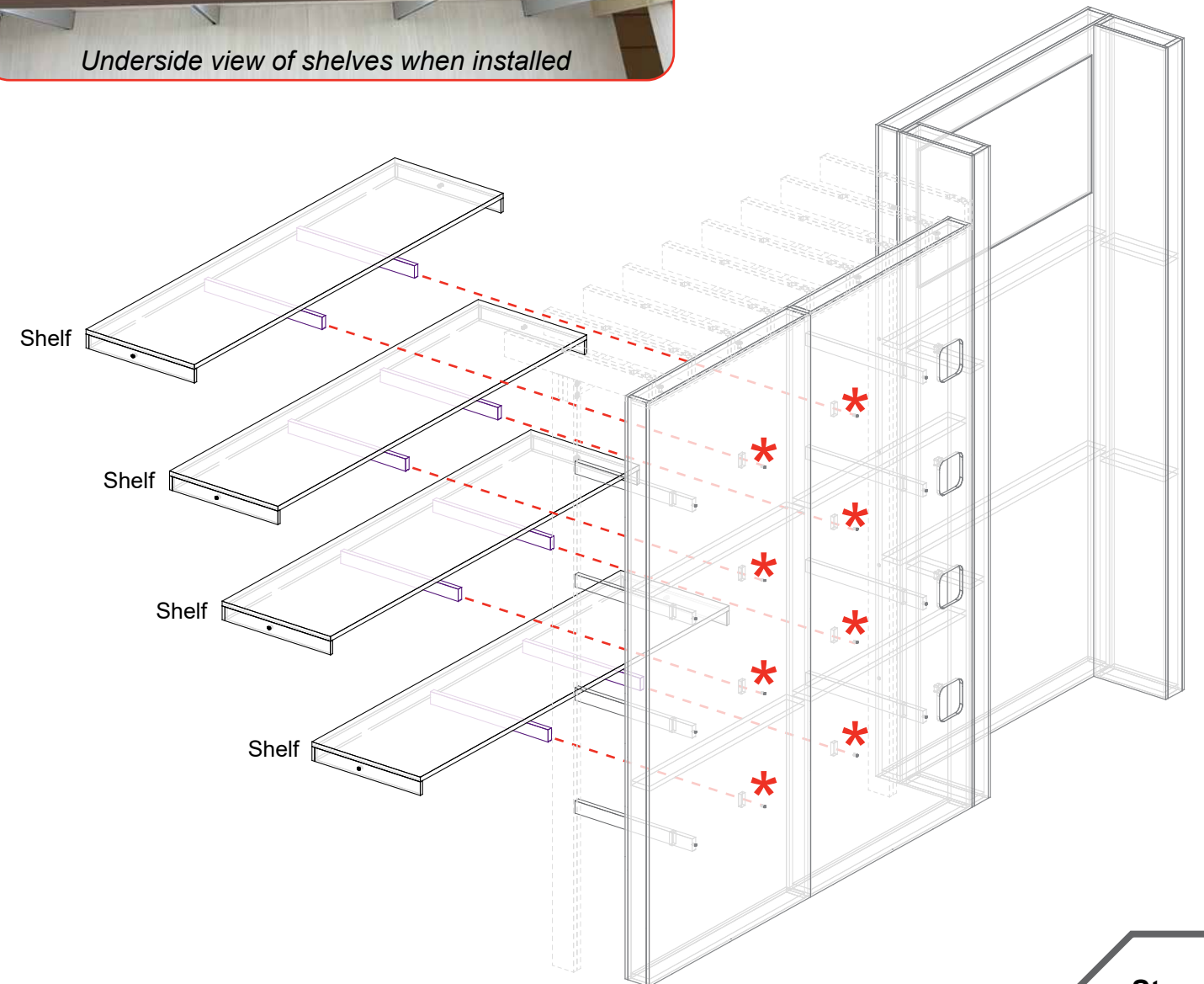
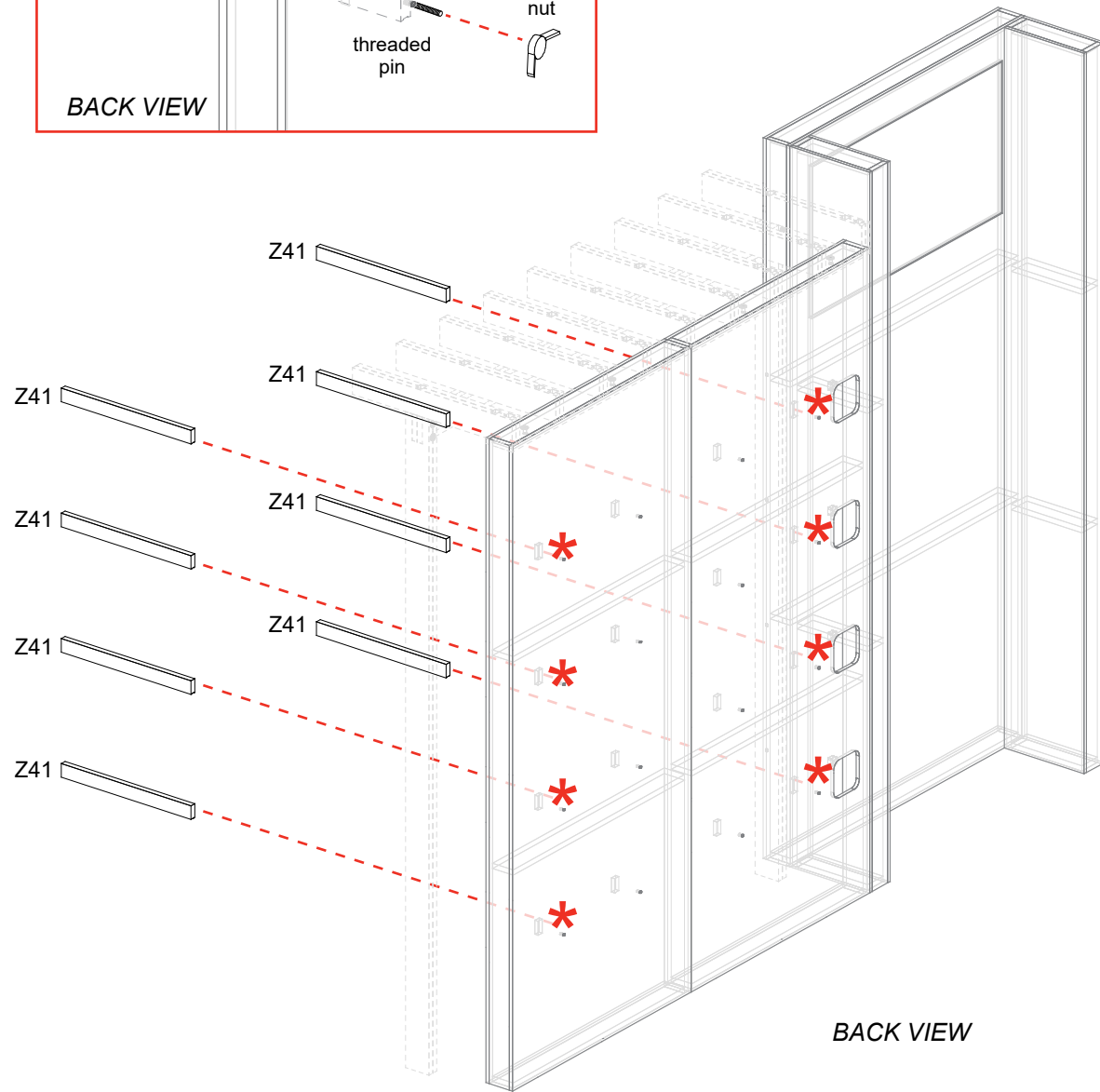
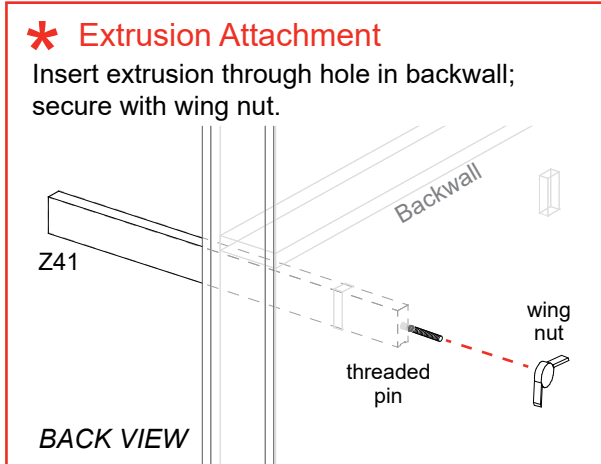
Item	Qty.	Description
--	4	66.938" w x 18" d Shelf w/ Z41
--	8	19.5" w Z41 Horizontal Extrusion

**Steps:**

- 1) Insert outer extrusions through holes in backwall panels; secure with wing nuts on back side. See **Extrusion Attachment** detail.
- 2) Slide extrusions on underside of shelves into backwall, resting shelves on outer extrusions. Secure with wing nuts. See **Extrusion Attachment** detail.



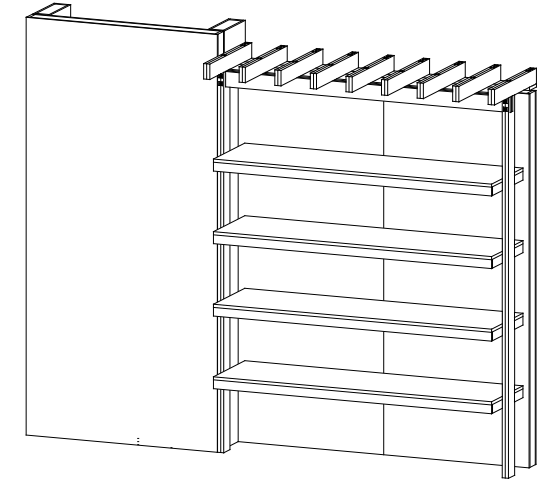
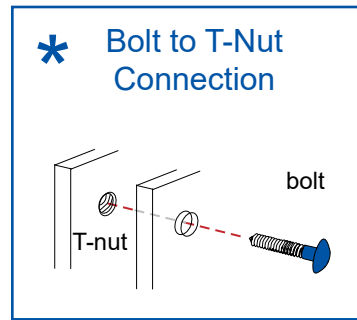
When assembled



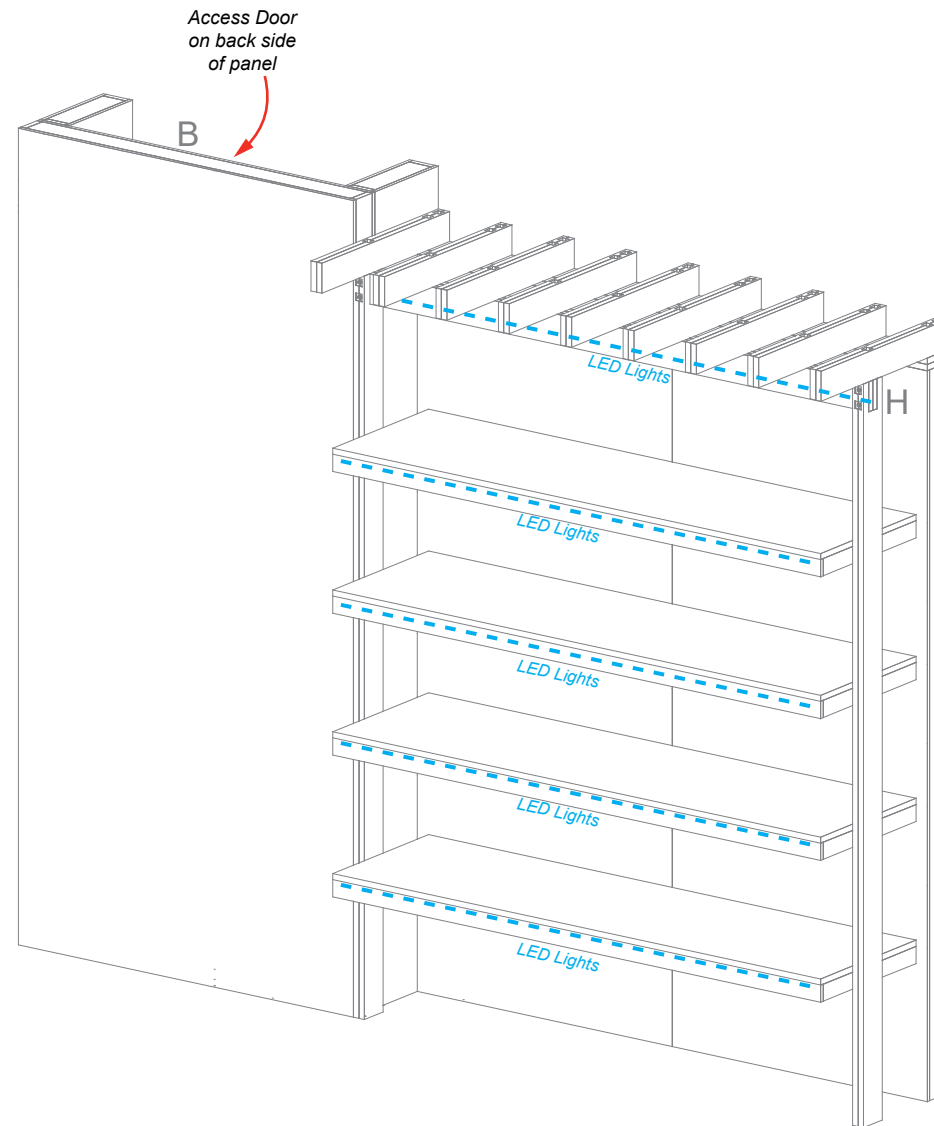
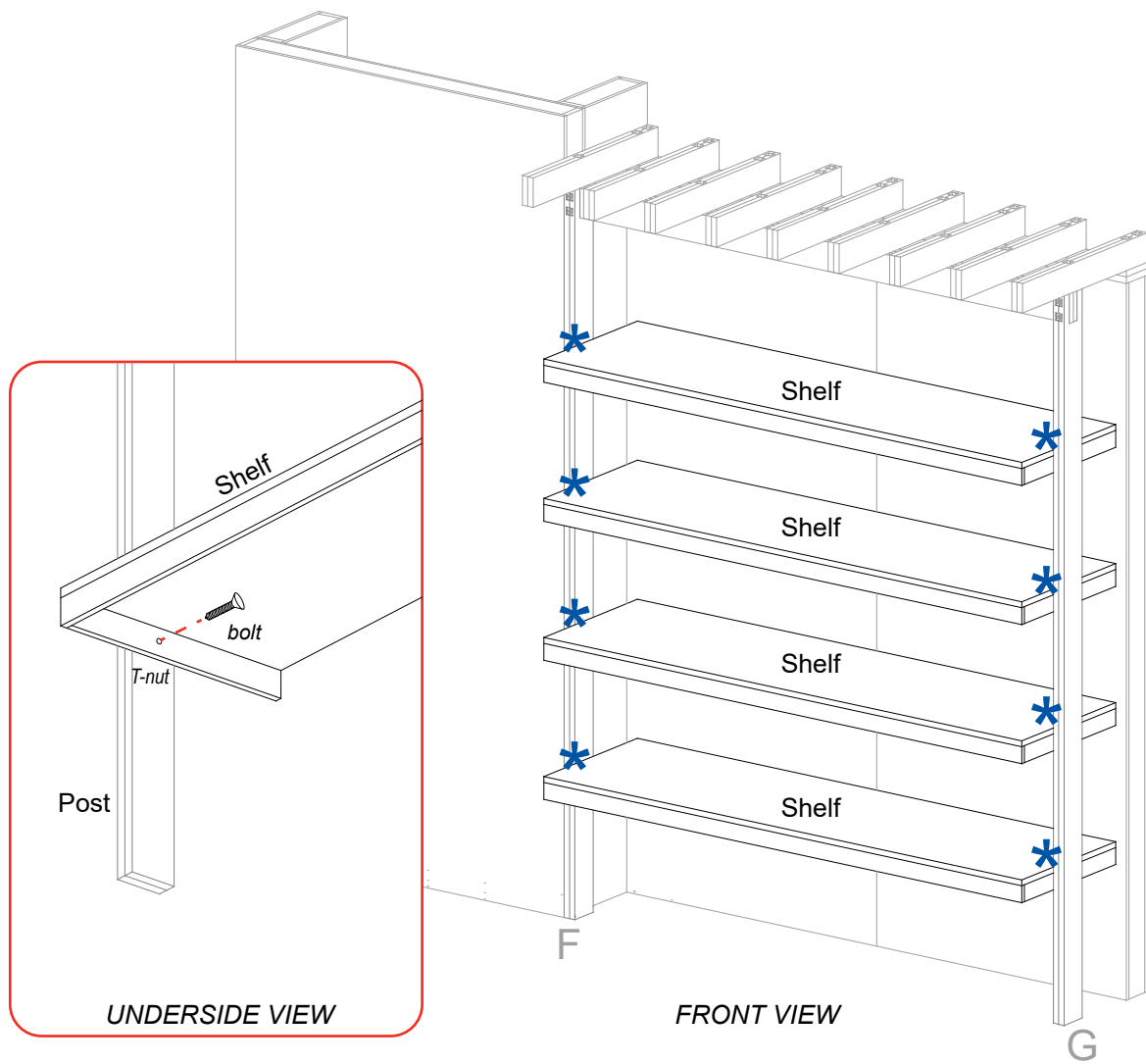


Steps:

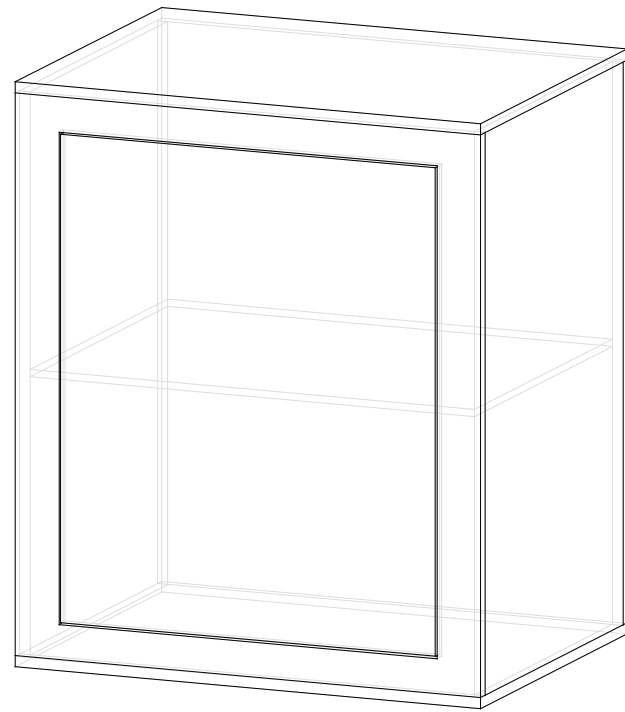
- 1) Secure sides of shelves to posts [F,G] using **Bolt to T-Nut Connection**.
- 2) Connect power cords to **LED Lights** behind logo, under shelves & under pergola ceiling.



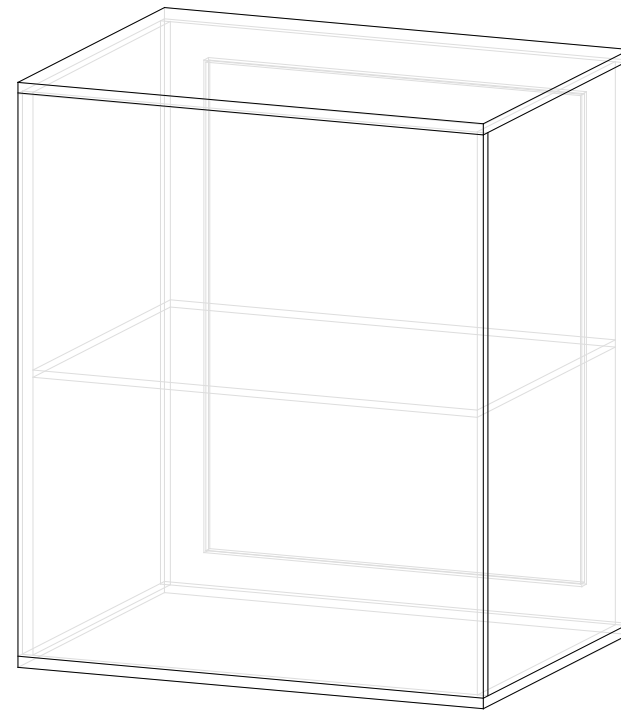
Completed Assembly



Steps:  
No assembly is required.



*BACK VIEW*



*FRONT VIEW*